

EN Data sheet

Dedicated to the recycling of cutting fluids directly in the machine shop, the EASYPURE reduces the consumption of new fluid while preserving its original properties.

Characteristics

Automatic and/or manual operation through the touchscreen interface. Start and stop control or synchronization with the start of the plant. Alarm settings (pH, temperature, filter clogging, level detection).



Recycled = saved

Reduces the cost of reprocessing used fluid, reduces the purchase of new fluid, increases the life of the fluid used.



Better for the environment

On-site reprocessing eliminates trucking and reduces new fluid consumption. Good for your carbon footprint!



Optimal properties

SIEBEC filtration ensures the elimination of particles and lubricating oils, while preventing bacterial growth.



Wide compatibility

Handles emulsions, micro-emulsions, synthetic and whole oils, chip juices...



1

Used fluid storage

Chip juices and used cutting fluids are stored in the 1,000-litre IBC. The fluid is then automatically transferred to the station in 500-litre batches.

2

Decanting

The fluid is transferred to the dephasing tank. The lubricating oils are collected in the module (3b) and the sludge and chips are transferred to a BigBag for disposal (3a).

3

Recovery modules

Pollutants can be recovered from various modules.



3a. Sludge recovery

Sludge recovery in a filter bag mounted on a trolley, or in a big-bag for large volumes.

3b. Oil recovery

Oil recovery in a trolley-mounted container.

4

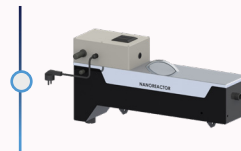
Finishing filtration & de-oiling

Once sludge, swarf and supernatant oils have been removed, the fluid undergoes a finishing treatment to refine its filtration and eliminate fine particles and traces of lubricating oil.

5

UV treatment

The regenerated fluid is stored in the final IBC where it receives continuous UV treatment to prevent bacterial growth.



High UV radiation - Nanoreactor

6

Regenerated fluid

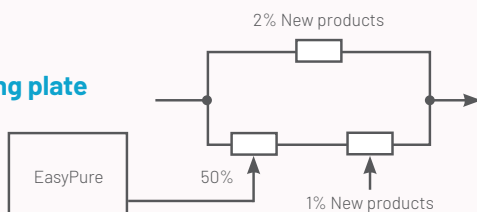
The fully regenerated fluid is ready to be transferred to the machine tool's lubricant tank for a new lease of life.

7

Option: Finishing treatment

The recycled fluid can be mixed with new fluid and perfectly dosed using the EASYMIX automatic dosing station.

Dosing plate

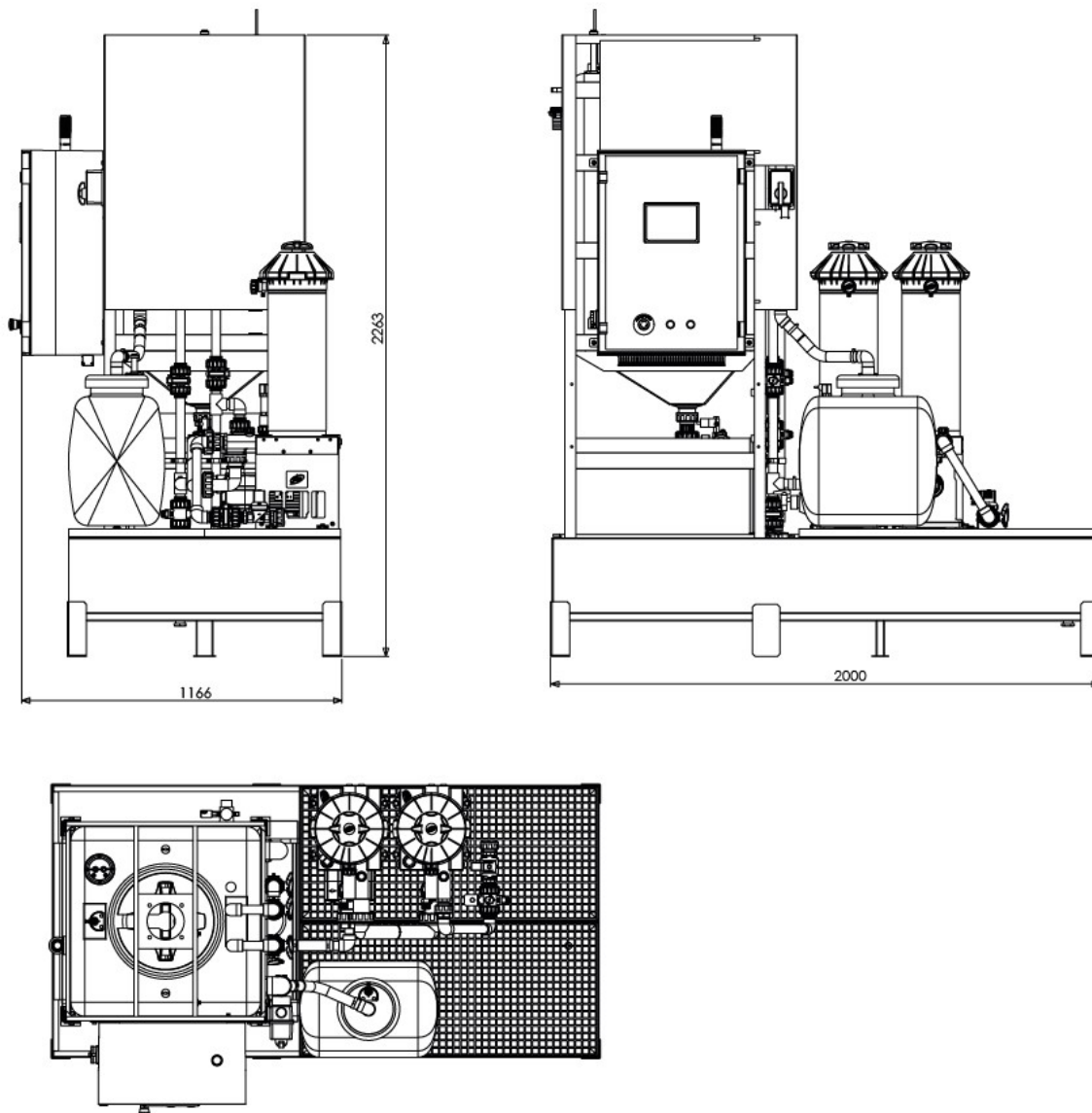


REUSE

WASTE



Dimensions



Installation recommendations	Dimensions			Power supply required
	Height	Width	Length	
Cutting fluid treatment station. Can be attached to the fluid distribution network for delivery of new & recycled fluid directly to the point of use.	2263	1166	2000	230V single-phase (power supply less than 2m away) Compressed air at 5-7 Bar.